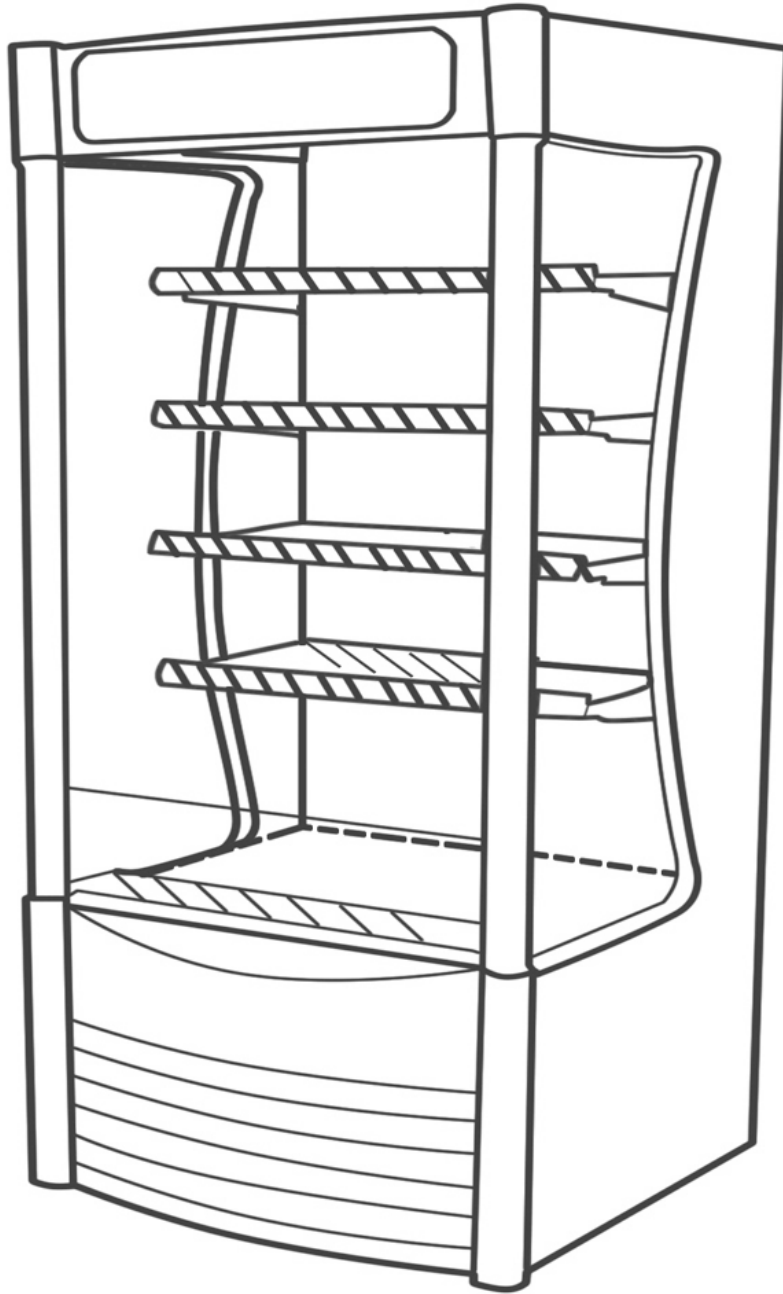


OAC-3X

OPEN AIR COOLER



PO Box 195
Alburgh VT 05440-0195

OFFICE: 1.888.685.9959
TECHNICAL SUPPORT: 1.888-685-8324
www.mtlcool.com



Refrigerated P.O.P. Display Solutions

OAC-3X

OPEN AIR COOLER

TABLE OF CONTENTS

1. SAFETY AND PRECAUTIONS	3
2. MAINTENANCE	4
3. DIGITAL TEMPERATURE CONTROL	5
4. TROUBLESHOOTING	7
5. WARRANTY INFORMATION	8

OAC-3XL

OPEN AIR COOLER

1. SAFETY AND PRECAUTIONS

- Do not place the cooling cabinet on top of the electrical plug.
- Keep the OAC-3XL upright during transportation. If the unit is tilted during transportation, please allow the unit to sit upright for a minimum of 2 hours before plugging in the unit.
- Unplug the unit before performing any maintenance or repairs on the unit.
- Do not position the cooler near any heat sources.
- Keep all flammable substances away from the cooler.
- Ensure that there is a minimum of 3 inches of space behind the unit for air circulation.
- Do not obstruct the ventilation both at the bottom front and interior of the cooler.
- Place the cooler on a level surface.
- Place the unit in a dry environment for optimal performance.
- The unit should only be serviced or repaired by a qualified technician.
- Do not plug the cooler into an extension cord.
- Do not use the OAC-3XL outdoors.
- Do not place the OAC-3XL in direct sunlight.
- The unit should be protected by a nominal 15 ampere fuse or breaker.
- The unit must only be plugged into the dedicated NEMA L6-20 Receptacle prepared by a qualified electrician.
- Caution, risk of electric shock. If the cord or plug becomes damaged, replace only with a cord or plug of the same type.

OAC-3XL

OPENAIR COOLER

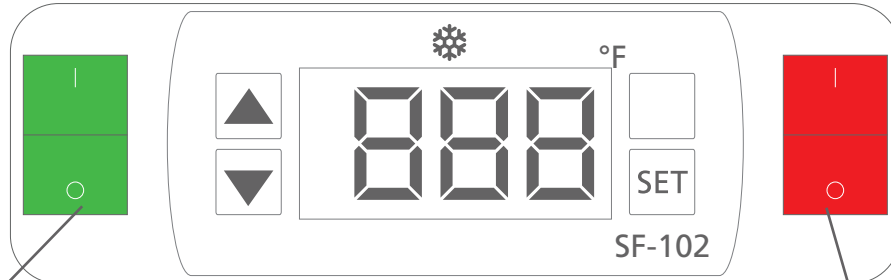
2. MAINTENANCE

- The product should be cleaned once a week with power supply disconnected. In cleaning, please use mild rinsing water or non-corrosive cleanser essence.
- The OAC-3XL is covered by a 2 year limited warranty that includes a bi-annual preventative maintenance visit by a qualified technician.

OAC-3X

OPEN AIR COOLER

3. DIGITAL TEMPERATURE CONTROLLER FUNCTIONS & SETTINGS



Cooler ON/OFF switch

Lighting ON/OFF switch

1. Set temperature (compressor stop temperature) adjustment
 - Press SET button, the set temperature is displayed.
 - Press ▲ or ▼ to modify and store the displayed value.
 - Press SET button to exit the adjustment and display the unit interior temperature.
 - If idle for for 10 or more seconds, the unit interior temperature will be displayed.

2. Parameter setup
 - Press SET button and hold for 6 seconds to enter the parameter setup mode while E1 flashes.
 - Press SET button again to toggle through the parameters (see table below).
 - Press ▲ or ▼ buttons, the value will be displayed and can be modified and stored.
 - If idle for 10 seconds the unit interior temperature will be displayed.

PARAMETER	FUNCTION	SET RANGE	DEFAULT
S	Set Point	33 to 41 °F	35 °F
E1	Lower set point limit	33 °F	33 °F
E2	Raise set point limit	Set Temperature 41 °F	41 °F
E3	Temperature Hysteresis	1 to ~18 °F	3 °F
E4	Comp. start delay time	0 ~ 10 min	4 min
E5	Offset on room temp.	-5 ~ 5 °F	0
E6	Offset on evap. temp.	-5 ~ 5 °F	0
F1	Max. frost duration	1 ~ 60 min	10 min
F2	Defrost interval time	0 ~ 24 hr	2 hr
F3	Defrost termination temp.	32~68 °F	46 °F
F4	Display during defrost	0=Norm. disp., 1=Last value before defrost	1
C1	Temperature unit	0 = °F , 1 = °C	°F

OAC-3X

OPEN AIR COOLER

FUNCTION DETAILS

1. Temperature control

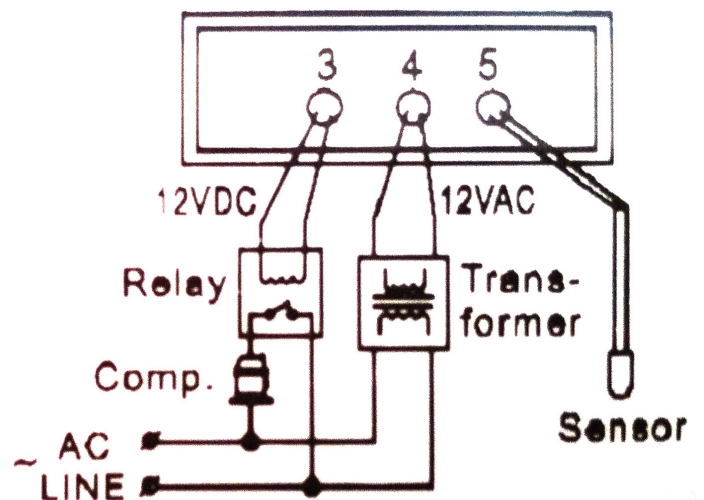
- After the delay time, the compressor starts operating when cold room temperature is \geq (set temp. + Hysteresis), and will be off when interior unit temperature is \leq set temp.
- To protect the compressor, it cannot re-start unless the time when the compressor stops is longer than the delay time (Parameter E4).

2. Abnormal work mode:

- When room sensor is short-circuited or overheated (more than 120°F) “HH” is displayed. When the room sensor is open-circuited or temperature is too low (less than -40°F) “LL” is displayed. At that time the compressor operates automatically by the cycle of 10 minutes on and 5 minutes off.

NOTES FOR INSTALLATION

- The sensor cable leads must be kept separate from main voltage wires in order to avoid high frequency noise. Separate the power supply of the loads from the power supply of the controller.
- When installing the sensor should be placed with the head upward and the wire downward; the evaporator sensor must be installed between the fins of the evaporator in the area where ice is the thickest.
- Don't Place the evaporator probe near the electrical heater.
- In case of long-distance probe installation from the controller, the probe cable may be prolonged up to 100m max. without any re-calibration.
- The temperature controller can not be installed in the area with water drops.



OAC-3X

OPEN AIR COOLER

4. TROUBLE SHOOTING

ISSUE	CAUSE	SOLUTION
Unusual noise from bottom of the cooler	<ul style="list-style-type: none"> • Fan is obstructed • Damaged fan blade 	<ul style="list-style-type: none"> • Power off, unplug unit, remove obstructing object. • Call 1-800 number for a qualified service technician.
Unit is not cooling to the required temperature	<ul style="list-style-type: none"> • Unit is not powered on • Ambient temperature is too high • Unit is on a defrost cycle • Refrigerant is leaking 	<ul style="list-style-type: none"> • Press the green button on the control panel below the illuminated header. • Wait 15-30 mins and verify temperature again. • Call 1-800 number for a qualified service technician.
Weak air flow from air curtain, cabinet temperature is too high	<ul style="list-style-type: none"> • Evaporator is obstructed by frost • Fan and/or ventilation is obstructed 	<ul style="list-style-type: none"> • Increase the default cycle frequency • Power off, unplug unit, remove obstructing object.
Air flow is normal, cabinet temperature is too high	<ul style="list-style-type: none"> • Insufficient refrigerant • Temperature set point is too high • Ambient temperature and/or humidity are not optimal 	<ul style="list-style-type: none"> • Call 1-800 number for a qualified service technician to come refill the refrigerant. • Lower set point temperature (see page 4) • Move the unit to a cooler/dryer location
Water leaking from bottom of the cooler	<ul style="list-style-type: none"> • Drip pan is overflowing due to excess humidity 	<ul style="list-style-type: none"> • Move the unit to a cooler/dryer location • Manually remove water from the drain pan

OAC-3X

OPEN AIR COOLER

WARRANTY INFORMATION

TWO Year Parts and Labor Warranty:

MTL Technologies, Inc. (“MTL Cool”) warrants that every new MTL Cool refrigerated display cooler, the cabinet, and all parts shall not contain any defects in material or workmanship, under normal and proper use and maintenance service as specified by MTL Cool and upon proper installation and startup in accordance with the instructions provided with each MTL Cool unit. Except as otherwise set forth herein, MTL Cool’s obligation under this warranty is limited to a period of two (2) years from the date of original shipment.

Any parts covered under this warranty that MTL Cool determines to have been defective within the two (2) year Warranty Period is limited to the repair or replacement, including labor charges of defective parts or assemblies. The labor warranty shall include standard straight time labor charges only and reasonable travel time as determined by MTL Cool.

***AN MTL COOL PREVENTATIVE MAINTENANCE CONTRACT IS REQUIRED*
FOR THIS WARRANTY TO BE IN EFFECT**

MTL Cool must authorize all labor. All costs not covered under warranty will be the responsibility of the original purchaser.

Our obligation under this warranty shall be limited to repairing or replacing F.O.B. factory any of such products, which proves thus defective which our examination shall disclose to our satisfaction to be defective.

- Any part returned to the company under the terms of this warranty must be accompanied by a record of the cabinet model, the MTL Cool serial number located on the back of the unit, and a return authorization number, and such return shall be on the basis of TRANSPORTATION CHARGES PREPAID BY MTL Cool.

- Improper operation due to low or high voltage conditions, inadequate wiring, and accidental damage are not manufacturing defects and are strictly the responsibility of the purchaser.

NO CLAIMS CAN BE MADE AGAINST THIS WARRANTY FOR LOSS OF PRODUCT

The term “original purchaser” as used herein shall be deemed to mean that person, firm, association of corporation for whom the Refrigeration Unit referred to herein is originally purchased. These warranties are in lieu of all other warranties, expressed or implied, and of all other obligations or liabilities on our part. We neither assume nor authorize any other person to assume for us any other

OAC-3X

OPEN AIR COOLER

obligation or liability in connection with the sale of said refrigeration units or any part thereof. This warranty shall not be transferred and shall be honored only in so far as to the original purchaser.

WARRANTY CLAIMS

All claims for labor or parts must be made directly through MTL Cool. All claims should include: model number of the unit, the serial number of the cabinet, proof of purchase, date of installation, and all pertinent information supporting the existence of the alleged defect.

In case of a warranty claim relating to compressors, the compressor model tag must be returned to MTL Cool along with the above listed information.

TRANSPORTATION CLAIMS

In the event parts need to be sent back to MTL Cool, MTL Cool will accept parts under this warranty on the basis of transportation charges prepaid by MTL Cool.

What is not covered by this warranty

Except as otherwise set forth herein, MTL Cool's sole obligation under this warranty is limited to either repair or replacement of parts, subject to the additional limitations below. This warranty neither assumes nor authorizes any person to assume obligations other than those expressly covered by this warranty.

NO CONSEQUENTIAL DAMAGES

MTL Cool is not responsible for economic loss, profit loss, or special, indirect, or consequential damages, including without limitation, losses or damages arising from food or product spoilage claims whether or not on account of refrigeration failure.

WARRANTY IS NOT TRANSFERABLE

This warranty is not assignable and applies only in favor of the original purchaser / user to whom delivered. Any unauthorized assignment or transfer shall void all warranties, expressed or implied, including all warrant of merchantability or fitness for a particular purpose.

OAC-3X

OPEN AIR COOLER

IMPROPER USAGE

MTL Cool assumes no liability for parts or labor coverage for component failure or other damages resulting from improper usage or installation, moving to another location, or failure to clean and/or maintain product as set forth in the warranty packet provided with the unit.

Alteration, neglect, abuse, misuse, accident, damages during transit, installation, moving to another location, fire, flood, or acts of God

MTL Cool is not responsible for the repair or replacement of any parts that MTL Cool determines have been caused after the date of purchase by alteration, neglect, abuse, misuse, accident, damage during transit or installation, fire flood, or act of God.

Improper electrical connections

MTL Cool is not responsible for the repair or replacement of failed or damaged components resulting from electrical power failure, the use of extension cords, low or high voltage, or voltage drops to the unit.

ITEMS THE WARRANTOR WILL NOT PAY FOR

Service calls to correct the installation of your appliance, to instruct you how to use your appliance, to replace or repair fuses or to correct wiring or plumbing.

Service calls to repair or replace appliance light bulbs or broken shelves. Consumable parts (such as filters) are excluded from warranty coverage.

Damage resulting from accident, alteration, misuse, abuse, fire, flood, acts of God, improper installation not in accordance with electrical or plumbing codes, or use of products not approved by warrantor.

Replacement parts or repair labor costs for units operated outside the U.S. or Canada.

Repairs to parts or systems resulting from unauthorized modifications made to the display cooler.

Expenses for travel and transportation for product service in remote locations.

The removal and reinstallation of your display cooler if it is installed in an inaccessible location or is not installed in accordance with published installation instructions.

OAC-3X

OPENAIRCOOLER

NO IMPLIED WARRANTY OF MERCHANTABILITY OR FITNESS FOR A PARTICULAR PURPOSE: THERE ARE NO OTHER WARRANTIES, EXPRESSED, IMPLIED OR STATUTORY, EXCEPT THE TWO (2) YEARS PARTS & LABOR WARRANTY AS DESCRIBED ABOVE. THESE WARRANTIES ARE EXCLUSIVE AND IN LIEU OF ALL OTHER WARRANTIES, INCLUDING IMPLIED WARRANTY AND MERCHANTABILITY OR FITNESS FOR A PARTICULAR PURPOSE. THERE ARE NO WARRANTIES WHICH EXTEND BEYOND THE DESCRIPTION ON THE FACE HEREOF.

OUTSIDE U.S.

This warranty does not apply to any warranty claims made on products sold or used outside of the United States and Canada.

LIMITATION OF LIABILITY

MTL Cool or their affiliates shall not be liable for any indirect, incidental, special or consequential damages, or losses of a commercial nature arising out of malfunctioning equipment or its parts or components thereof, as a result of defects in material or workmanship.

THE ORIGINAL OWNER'S SOLE AND EXCLUSIVE REMEDY AND MTL COOL'S SOLE AND EXCLUSIVE LIABILITY SHALL BE LIMITED TO THE REPAIR OR REPLACEMENT OF PARTS OR COMPONENTS CONTAINED IN THE EQUIPMENT IDENTIFIED ABOVE WHICH UNDER NORMAL USE AND SERVICE MALFUNCTION AS A RESULT OF DEFECTS IN MATERIAL OR WORKMANSHIP, SUBJECT TO THE APPLICABLE PROVISIONS AND LIMITATIONS STATED ABOVE.